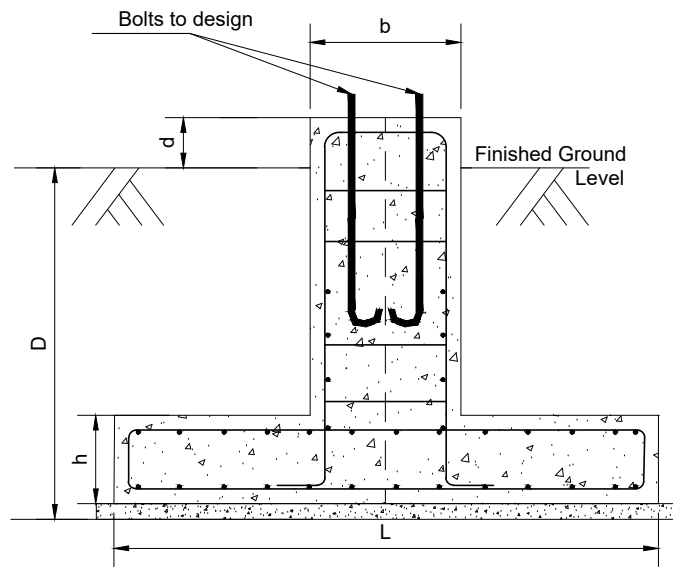
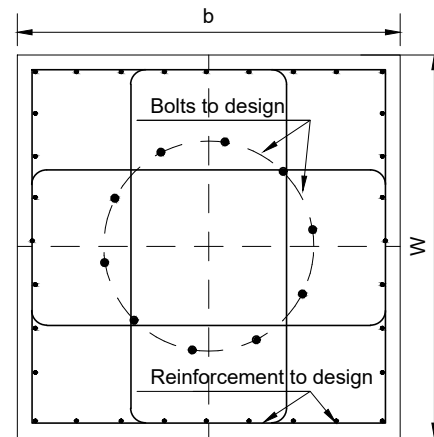


NOTES:

1. Pedestals and Bases to be in reinforced concrete
2. Designs to be based on relevant Standards



TYPICAL ELEVATION OF PEDESTAL
(REINFORCED CONCRETE)



TYPICAL DETAIL OF PEDESTAL
(REINFORCED CONCRETE)

**SELF-SUPPORTING MONOPOLE FOUNDATION (PAD AND CHIMNEY/
PEDESTAL) (FOR TENDERING PURPOSES ONLY)**

